



The Sensorex TCSP toroidal (inductive) conductivity sensors feature a wide measurement range and dependable toroidal technology over the range 0-2000 $\mu\text{S}/\text{cm}$. Resistant to corrosion, coatings and fouling common to contacting conductivity sensors, the TCSP3020 is designed for a trouble-free and long service life.

PEEK (unfilled, polyetheretherketone) is the standard material of construction and has a wide solvent tolerance and temperature stability to 130 degrees C. Sensor features 3/4" MNPT for connection to conduit for submersion mounting or insertion in a bushing for inline mounting. A PT1000 RTD temperature element is built into the sensor for temperature compensation. All TCSP sensor models are available with 10ft or 20ft long 9-conductor cable. Custom lengths are available. Please contact Sensorex for pricing.

Sanitary model coming Fall 2023

Resists coating, corrosion and fouling

Durable PEEK construction

Threaded 3/4" NPT for submersion or inline mounting

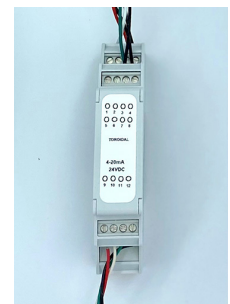
Choose from two models

TCSP3020 for use with EX2000RS, TCSMA, or TCSTX

TCSP3021 for use with SSRE remote electronics for direct MODBUS or 4-20 mA output

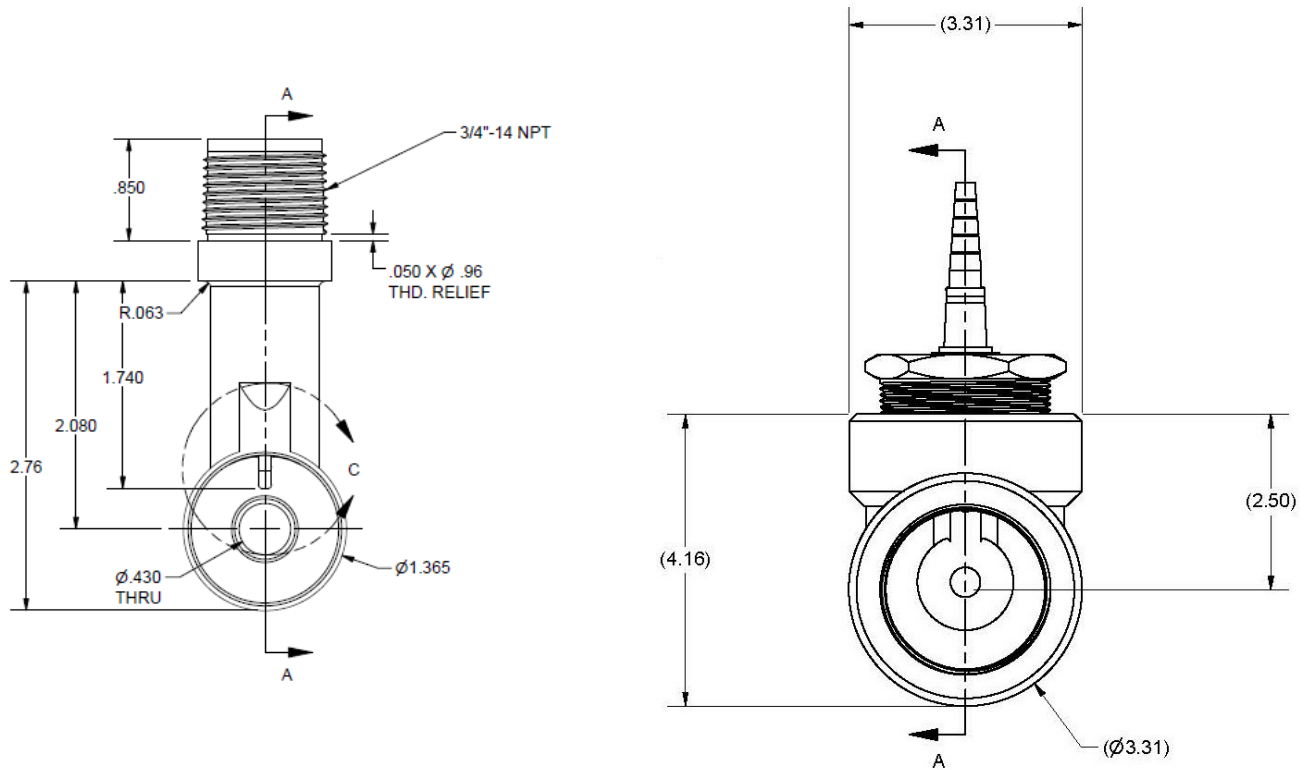
SPECIFICATIONS

Measuring Range	0-2,000,000 $\mu\text{S}/\text{cm}$
Body Material	PEEK
Max Temperature	130°C
Max Pressure	295 psig
Temperature Compensation	Pt 1000 RTD
Cable Length	9 conductor (6 conductor plus shields) with PTFE jacket; available in standard 10ft or 20ft lengths; custom lengths available on request.
Process Connection	3/4" MNPT



TCSP3020 DIMENSIONAL VIEWS

TCSP3020



ORDERING INFORMATION

Part Number	Description
TCSP3020-1-CC-3-A-1	PEEK Toroidal Sensor for use with Sensorex transmitters, EX2000RS, TCSMA, TCSTX, 10-ft cable, 3/4 NPT
TCSP3020-1-CD-3-A-1	PEEK Toroidal Sensor for use with Sensorex transmitters, EX2000RS, TCSMA, TCSTX, 20-ft cable, 3/4 NPT
TCPS3021-1-CC-3-A-1	PEEK Toroidal Sensor for use with Sensorex SSRE remote electronics, 10-ft cable, 3/4 NPT
TCSP3021-1-CD-3-A-1	PEEK Toroidal Sensor for use with Sensorex SSRE remote electronics, 20-ft cable, 3/4 NPT
FC900B	Bushing, 3/4" NPT(F) to 2"NPT(M), 304 SS
FC900T	Tee Fitting, 3"NPT(F), 304 SS

DESIGNED AND ASSEMBLED IN CALIFORNIA, USA

11751 MARKON DRIVE • GARDEN GROVE, CA 92841 • 714.895.4344 • WWW.SENSOREX.COM

© Sensorex Corporation. All rights reserved. In the interest of improving and updating its equipment, Sensorex reserves the right to alter specifications to equipment at any time.